

HOHNER ACCORDIONS



HA-3500 CORONA II*

THIS AFFORDABLE ACCORDION HAS SET THE STANDARD FOR GENERATIONS OF CONJUNTO AND TEJANO MUSICIANS. THE 3500 CORONA II HAS NEW DOUBLE STRAP BRACKETS.

TREBLE KEYS: 31
BASS/CHORD BUTTONS: 12
TREBLE REEDS: 2 Sets
KEY COMBINATIONS: FBbEb and GCF
COLOR: Red Pearl
WEIGHT: 9 lbs.
SIZE: 7.5" deep by 12" high

CORONA III*

HOHNER'S CORONA III ACCORDION IS SIMILAR IN APPEARANCE TO THE CORONA II, BUT HAS A THREE-VOICE TREMOLO AND FOUR SETS OF BASS REEDS. OFFERED WITH AN OPTIONAL 12X CASE.

TREBLE KEYS: 31
BASS/CHORD BUTTONS: 12
TREBLE REEDS: 3 Sets
KEY COMBINATIONS: FBbEb, GCF, ADG and BbEbAb
COLOR: Red Pearl
WEIGHT: 10 lbs.
SIZE: 7.5" deep by 12" high



HA-3100 PANTHER*

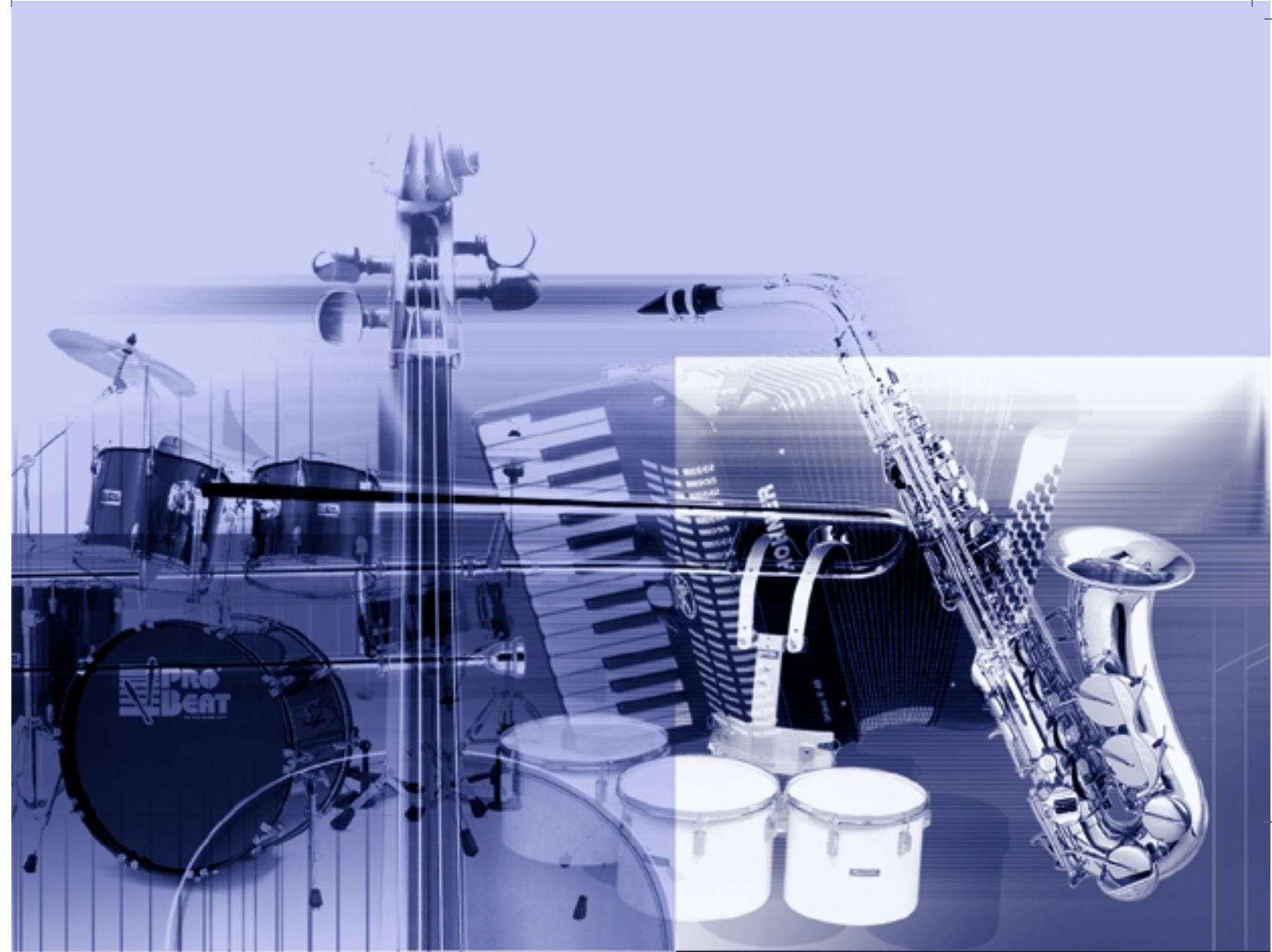
THE AFFORDABLE PANTHER ACCORDION SHARES MANY OF THE SAME QUALITY FEATURES AS OTHER HOHNER THREE-ROW DIATONIC ACCORDIONS, WITH NEW DOUBLE STRAP BRACKETS.

TREBLE KEYS: 31
BASS/CHORD BUTTONS: 12
TREBLE REEDS: 2 Sets
KEY COMBINATIONS: GCF
COLOR: Matte Black
WEIGHT: 9 lbs.
SIZE: 7.5" deep by 12" high

HA-3000 ERICA*

THE ERICA IS A WONDERFUL DIATONIC ACCORDION FOR FOLK MUSIC. WITH TWO ROWS OF TREBLE BUTTONS, THE ERICA OFFERS A SOLID WOODEN HOUSING WITH CELLULOID FINISH.

TREBLE KEYS: 21
BASS/CHORD BUTTONS: 8
TREBLE REEDS: 2 Sets
KEY COMBINATIONS: GC, AD and CF
COLOR: Red Pearl
WEIGHT: 6 lbs.
SIZE: 6" deep by 11" high



NAMM 2006 MUSIC FLYER

NAMM® 2006



750 West 18th Street
Hialeah, FL 33010
(305) 887-5197 - Fax (305) 885-4950
Email: music@telexportinc.com

USA Distributors



750 West 18th Street
Hialeah, FL 33010
(305) 888-3980 - Fax (305) 885-4950
Email: sales@probeat.mu

MARCHING DRUMS



**PRO
BEAT**



Model 110-ESD 145

14" x 5-1/2" 6 Lugs
With Sticks and Strap
Wood Snare

Color: White, Blue, Wine Red & Black

Model 110-ESD145CH

14" x 5-1/2" 6 Lugs
With Sticks and Strap

Color: Chrome Snare



A. Model 110-ESD1410

14" x 10" Snare Drum, 12 Lugs
With Sticks and Strap

Colors: White, Blue, Wine Red & Black

B. Model 110-ETD1410

14" x 10" Tenor Drum, 12 Lugs
With Beater and Strap

Colors: White, Blue, Wine Red & Black

C. Model 110-EBD2610

26" x 10" Bass Drum, 20 Lugs
With Beater and Strap

Colors: White, Blue, Wine Red & Black

Also Available:

110-EBD2210 22" Bass Drum

110-EBD2410 24" Bass Drum

110-EBD2810 28" Bass Drum

With Beater and Strap

Colors: White, Blue, Wine Red & Black

HOHNER ACCORDIONS



BRAVO III 80*

TREBLE: 37 Keys, three sets of reeds, seven registers with two repeats

TUNING: Continental

BASS: 80 Buttons, three registers

COLOR: Black or Red Pearl

WEIGHT: 19 lbs.

SIZE: 7.25" deep by 17.25" high

KEYBOARD: 17.5"



BRAVO III 96*

TREBLE: 37 Keys, three sets of reeds, seven registers with two repeats

TUNING: Continental

BASS: 96 Buttons, three registers

COLOR: Black or Red Pearl

WEIGHT: 19 lbs.

SIZE: 7.25" deep by 17.25" high

KEYBOARD: 17.5"



BRAVO III 120*

TREBLE: 41 Keys, three sets of reeds, seven registers with two repeats

TUNING: Continental

BASS: 120 Buttons, three registers

COLOR: Black or Red Pearl

WEIGHT: 20.25 lbs.

SIZE: 7.25" deep by 19" high

KEYBOARD: 19.2"



Hohner Accordions

HOHNER

Bravo II 48*

TREBLE: 26 Keys, range b-c, two sets of reeds, two registers
TUNING: Tremolo
BASS: 48 Buttons
COLOR: Black or Red Pearl
WEIGHT: 11 lbs.
SIZE: 7.25" deep by 12" high
KEYBOARD: 12.75"



Bravo III 72*

TREBLE: 34 Keys, range (G) g-e, three sets of reeds, five registers
TUNING: Continental
BASS: 72 Buttons, three registers
COLOR: Black or Red Pearl
WEIGHT: 16.25 lbs.
SIZE: 7.25" deep by 15.5" high
KEYBOARD: 16"

NEW Bravo Series

When you play Hohner's new Bravo Accordion Models, you're sure to be a crowd favorite! Hohner has engineered the Bravo to the highest standards of modern technology.

The responsive keyboard is housed in a lightweight, smaller-size body with a full-size sound.



*ALL UNITS INCLUDE GIG BAG

JUNIOR PARADE DRUMS



Model 110-ESD 107

10" x 7" Snare Drum, 4 Double Lugs With Sticks and Strap

Colors: White, Blue & Wine Red

Model 110-ETD 107

12" x 7" Tenor Drum, 4 Double Lugs With Beater and Strap

Colors: White, Blue & Wine Red

PRO BEAT

MARCHING DRUMS



Model 110-EPBMD3

Marching Tenor Drums 1-10", 1-11", 1-12" With Carrying Harness and Sticks

Colors: White, Blue & Wine Red

Model 110-EPBMD4

1-8", 1-10", 1-11", 1-12" With Carrying Harness and Sticks

Colors: White, Blue & Wine Red

PRO BEAT

MARCHING TOMS



Model 101-PBMRTT 6/8/10

Marching Roto-Toms Drums 1-6", 1-8", 1-10" With Carrying Harness and Sticks

Color: Chrome

PRO BEAT

MARCHING BAND



School Snare Drum Kit

Model 101-PSBK11D

5-1/2" x 14" Snare Drum,
Snare stand, Drum Sticks
10" Cymbal & holder

Colors: Black (BK),
Deep Ocean Blue (DOB),
Wine Red (WR)
& White (WH)



Bell Lyra

Model 110-EPBL27A

27 notes with sticks and
strap Metal Frame

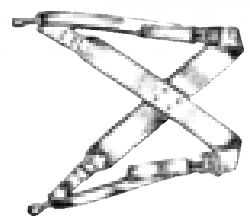
MARCHING PERCUSSION ACCESSORIES

Sling and Carriers



105-DE12TS PARADE DRUM SLING

2' White nylon drum sling with
heavy-duty swivel hook.



105-DE12B BASS DRUM HARNESS

Heavy-Duty white nylon fully
supports drum's weight on back
& shoulder. Fully adjustable.



105-3210 PARADE DRUM LEG REST

Comfortable horseshoe cradle helps
reduce leg fatigue. Spring lock permits
instant adjustment from open to
closed position. Will fit any drum.



Marching Drum Racks

129-BDR10 BASS DRUM RACK

Marching band bass carrier.
Chrome plated metal harness
with rubber liner and leather
straps.

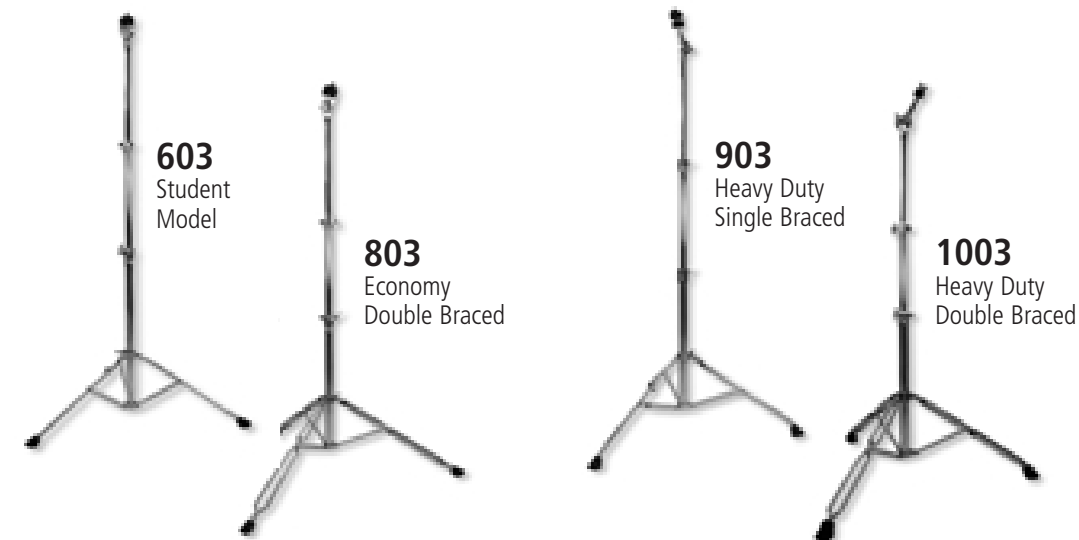


129-SDR20 MARCHING DRUM RACK

Marching band carrier. Chrome
plated metal construction with
rubber lining for Snare or Tenor.

PERCUSSION HARDWARE

CYMBAL STANDS



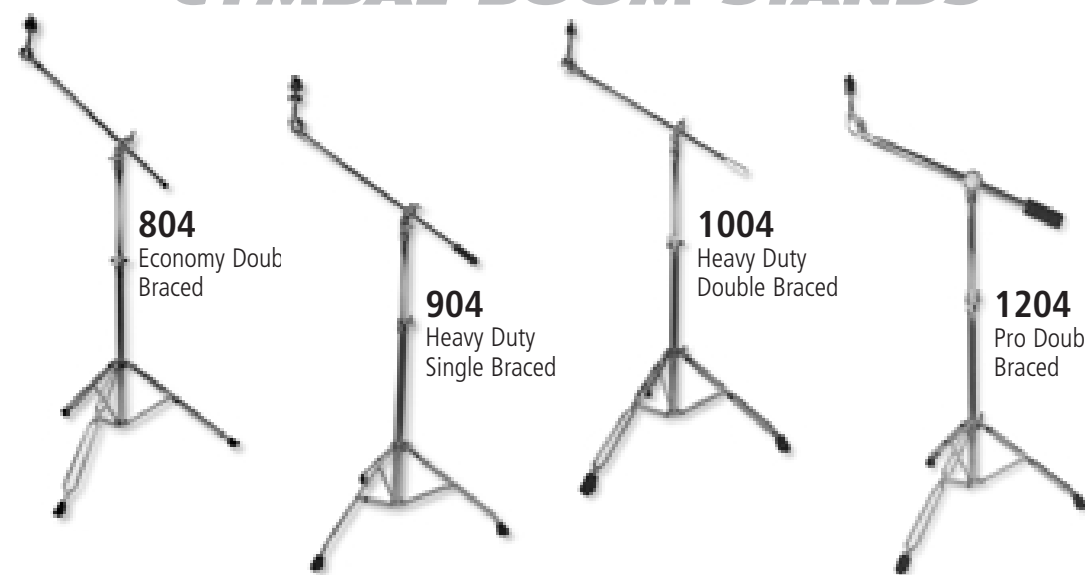
603
Student
Model

803
Economy
Double Braced

903
Heavy Duty
Single Braced

1003
Heavy Duty
Double Braced

CYMBAL BOOM STANDS



804
Economy Doub
Braced

904
Heavy Duty
Single Braced

1004
Heavy Duty
Double Braced

1204
Pro Double
Braced

DOUBLE BASS DRUM PEDALS



613D

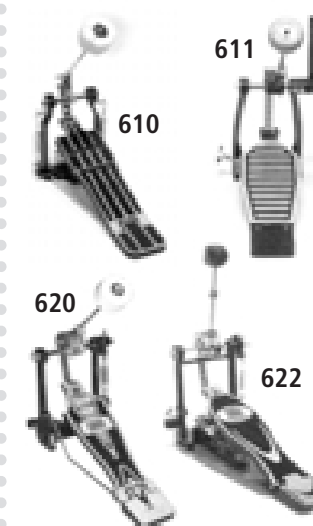
Deluxe chain-driven model with adjustable double
springs on main pedal. Special lightweight chains
provide the sensitivity and smoothness of more
expensive pedals. Fast and easy set-up.

615D

Super heavy-duty, smooth action, double chain drive pedal featuring
adjustable stroke length, independent beater angle adjustment.
Dual head, reversible beaters. Twin spring tension adjustment.
Non-slip spurs and "easy clamp" clamp-on mechanism.

Pedal folds
completely flat.

BASS DRUM PEDALS



610

611

620

622

610 TKO DELUXE DOUBLE SPRING

Extra-sturdy cast aluminum, chain
drive pedal with adjustable twin
spring tension and beater angle.

611 TKO "QUICKSILVER"

Super smooth, fluid action, chain
drive pedal featuring independent
beater angle adjustment. One-
touch spring tension adjustment.

Non-slip spurs and "easy clamp".

620 TKO "WORLD CLASS"

Fast, heavy duty double chain
cam drive. Independent stroke and
beater angle adjustment. Comes
with spurs, side adjustable easy
clamp system, helix beater ball
and key holder.

622 TKO "PROFESSIONAL"

Super heavy duty, smooth action
double chain cam drive, adjustable
stroke length, independent wide
angle beater adjustment, dual head
reversible beater, wide angle foot
plate. Includes drum key & holder,
hoop clamp for wood or metal
rims. Non-slip floor plate for
smooth or carpeted floors.
Pedal folds completely flat.

PERCUSSION HARDWARE

DRUM THRONES



4273
Student Tripod Style
No-slip height adjustment.
Easy set-up.



4275
Heavy Duty
Thick padded seat with
double braced legs.



4276
PRO Heavy Duty
Same as 4275 with
screw-type adjuster.

SNARE STANDS



605
Student
Model



805
Economy
Double Braced

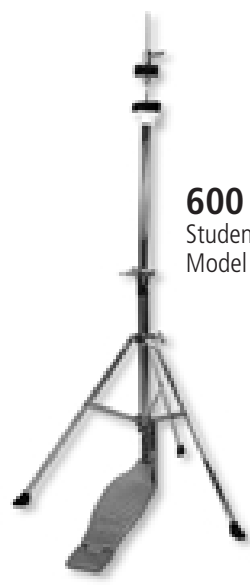


905
Heavy Duty
Single Braced



1005
Heavy Duty
Double Braced

HI-HAT STANDS



600
Student
Model



800
Economy
Double Braced



900
Heavy Duty
Single Braced



1000
Heavy Duty
Double Braced

DRUM SETS

MODEL PBPRO-750

BASS DRUM

22" x 14" x 20" - Lugs

SNARE DRUM (WOOD SHELL)

14" x 5-1/2" x 6- Lugs

TOM

13" x 11" x 12-Lugs

TOM

12" x 10" x 12-Lugs

FLOOR TOM

16" x 16" x 12-Lugs

CYMBALS

14" x 2PC

16" x 1PC

DOUBLE BRACED STANDS

DRUM THRONE

SSC-111 SNARE STAND

CDSC-111 CYMBAL BOOM STAND

WSC-111 HI-HAT STAND

DRUM STICKS 1 PAIR



IOLITE INSTRUMENTS

Iolite Wind and Brass Instruments

137-IB1L	Trumpet Lacquer
137-IB1N	Trumpet Nickel
137-IB4AL	Alto Saxophones Lacquer
137-IB4TL	Tenor Saxophone Lacquer
137-IB4SL	Soprano Saxophone Lacquer
137-IB9L	Tenor Trombone Lacquer
137-IB13L	Valve Trombone Lacquer
137-BC1	Traditional Bugle

Clarinet

137-IB2 Ebonite

Flute

137-IB3N Nickel

Wind instrument with mouth piece and case.

Iolite String Instruments

Violins with bow and Deluxe case

Model	Description
137-IV1P	4/4 Student with Purfling
137-IV1A	4/4 Advanced quality
137-IV1M	4/4 Professional quality I*
137-IV1N	4/4 Professional quality II*
137-IV2P	3/4 Student with Purfling
137-IV2A	3/4 Advanced quality
137-IV3P	1/2 Student with Purfling
137-IV3A	1/2 Advance quality
137-IV4P	1/4 Student with Purfling
137-IV5P	1/8 Student with Purfling
137-IV6P	1/10 Student with Purfling
137-IV7P	1/16 Student with Purfling
137-IV8P	1/32 Student with Purfling

Cellos with padded carrying case

Model	Description
137-IVC1	4/4 Advance quality with Purfling* ebony fingerboard & pegs, maple back, spruce top.
137-IVC2	3/4 Advance quality with Purfling* ebony fingerboard & pegs, maple back, spruce top.
137-IVC3	1/2 Advance quality with Purfling* ebony fingerboard & pegs, maple back, spruce top.

*(not shown)

Viola with bow and Deluxe case

Model	Description
137-IV1V	16" Student with Purfling
137-IV2V	15" Student with Purfling
137-IV3V	14" Student with Purfling



AMADEUS BAND INSTRUMENTS



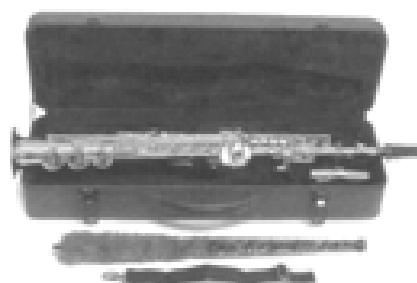
**137-AMD4L
Standard Alto Saxophone**

- Gold lacquer finished body and keys.
- Complete with mouthpiece, strap and plush lined case.



**137-IB4TL
Tenor Saxophone**

- Gold lacquer finished body and keys.
- Complete with mouthpiece, strap and plush lined case.



**137-IB4SL
Soprano Saxophone**

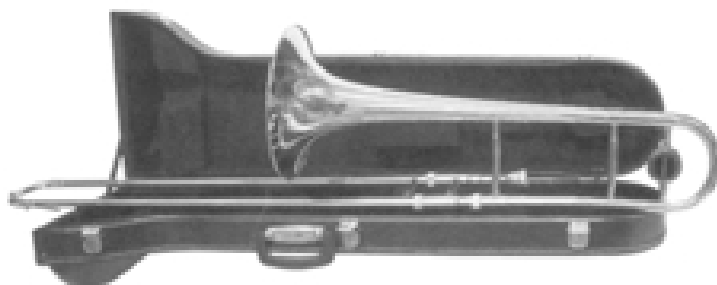
- Gold lacquer finished body and keys.
- Complete with mouthpiece, reed, strap and plush lined case.



**137-AMD1L
Trumpet Lacquer**

**137-AMD1N
Trumpet Nickel Finish**

- Gold lacquer or silver finished trumpet with medium bore.
- Ideal for student use.
- Includes mouthpiece and plush case.



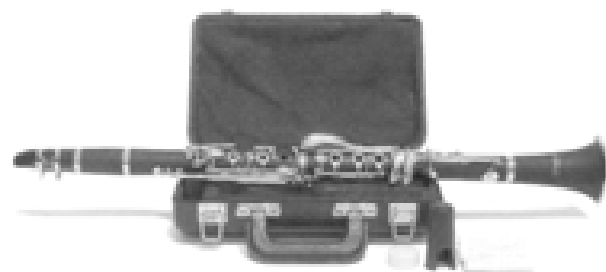
**137-IB9L
Trombone**

- Rich gold lacquer finish
- 9-1/4" Bell with wide hand slide and small bore mouthpiece receiver.
- Complete with mouthpiece, strap and plush lined case.



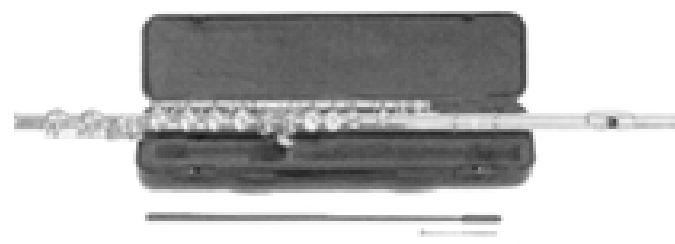
**137-IB5L
Pocket Trumpet**

- Gold lacquer finished body with medium bore.
- Includes mouthpiece and plush lined case.



**137-AMD2
Clarinet**

- Quality matte finish or simulated woodgrain finish with nickel keys & Italian pads.
- Complete with lined case, mouthpiece and reed.



**137-AMD3
Flute**

- Nickel silver plated flute w/ precision milled embouchure & Italian pads.
- Includes plush lined case and cleaning rod.

AMATI BAND INSTRUMENTS



- Handcrafted in Europe
- Educator approved
- Widely used in school band programs
- Fantastic profit margins
- Fully inspected & shop adjusted in the USA
- Many other instruments available for special order with quick delivery

B^b Clarinet

.571 bore, 7 keys 6 rings. ABS plastic, nickel plated keys. Comes complete with case, mouthpiece, metal cap, ligature & power-forged keys.

Model: ACL201

C Flute

Closed holes, silver-plated tubing & keyworks. Comes complete with case.

Model: AFL202S

B^b Trombone

.490 bore, 7.9 bell, hard chrome slide, lacquer. Comes complete with case and silver-plated mouthpiece.

Model: ASL312

E^b Alto Saxophone

Gold lacquer body and high F# key. Comes complete case, neck strap, mouthpiece, metal cap and ligature.

Model: AAS32

B^b Trumpet

.460 bore, 5.1 bell, lacquer, fist slide saddle, third slide tuning finger ring, two water keys. Comes complete with case & silver mouthpiece.

Model: ATR213

Model: ART213S

Same as above with silver-plated finish.

B^b Bugle

With tuning mouthpiece, .460 bore, 5.7" bell, 18.11" long, lacquer finish.

Model: ABG201

The following Amati instruments are available for special order with quick delivery:

- | | | | | |
|---------------|----------------|------------------|-----------------|---------------|
| • Piccolo | • Tenor Sax | • Pocket Trumpet | • Mellophone | • French Horn |
| • Oboe | • Baritone Sax | • Bass Trombone | • Baritone horn | • Tuba |
| • Bassoon | • Cornet | • Valve Trombone | • Euphonium | • Sousaphone |
| • Soprano Sax | • Flugelhorn | | | |